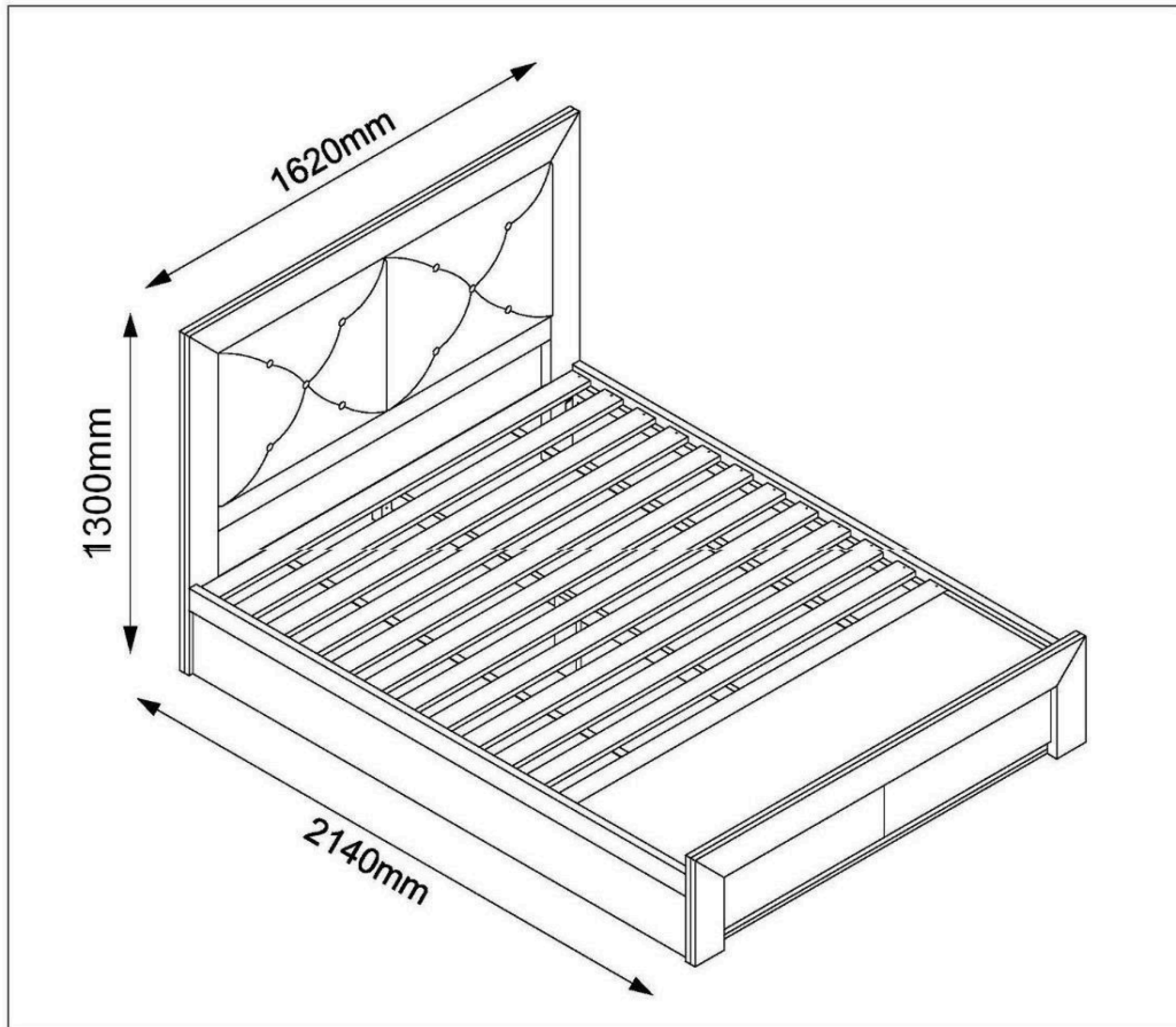


ASSEMBLY INSTRUCTION BOULDER QUEEN BED ITEM CODE 53559

Imported by Amart Furniture Pty Ltd, Qld, Brisbane Australia.
For any assistance with assembly or for missing parts, please phone
Amart Furniture Ewing Road, Customer Service Free call 1800 351 084

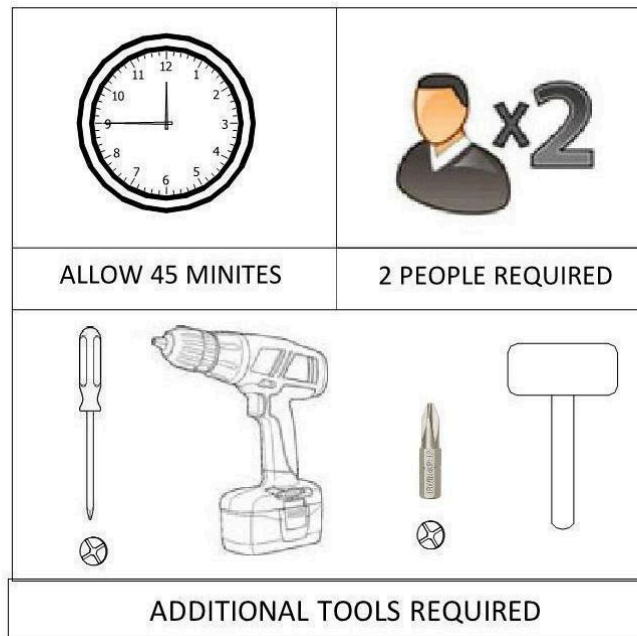


Imported by Amart Furniture Pty Ltd, Qld, Brisbane Australia.
For any assistance with assembly or for missing parts, please phone
Amart Furniture Ewing Road, Customer Service Free call 1800 351 084

PRE-ASSEMBLY PREPARATION

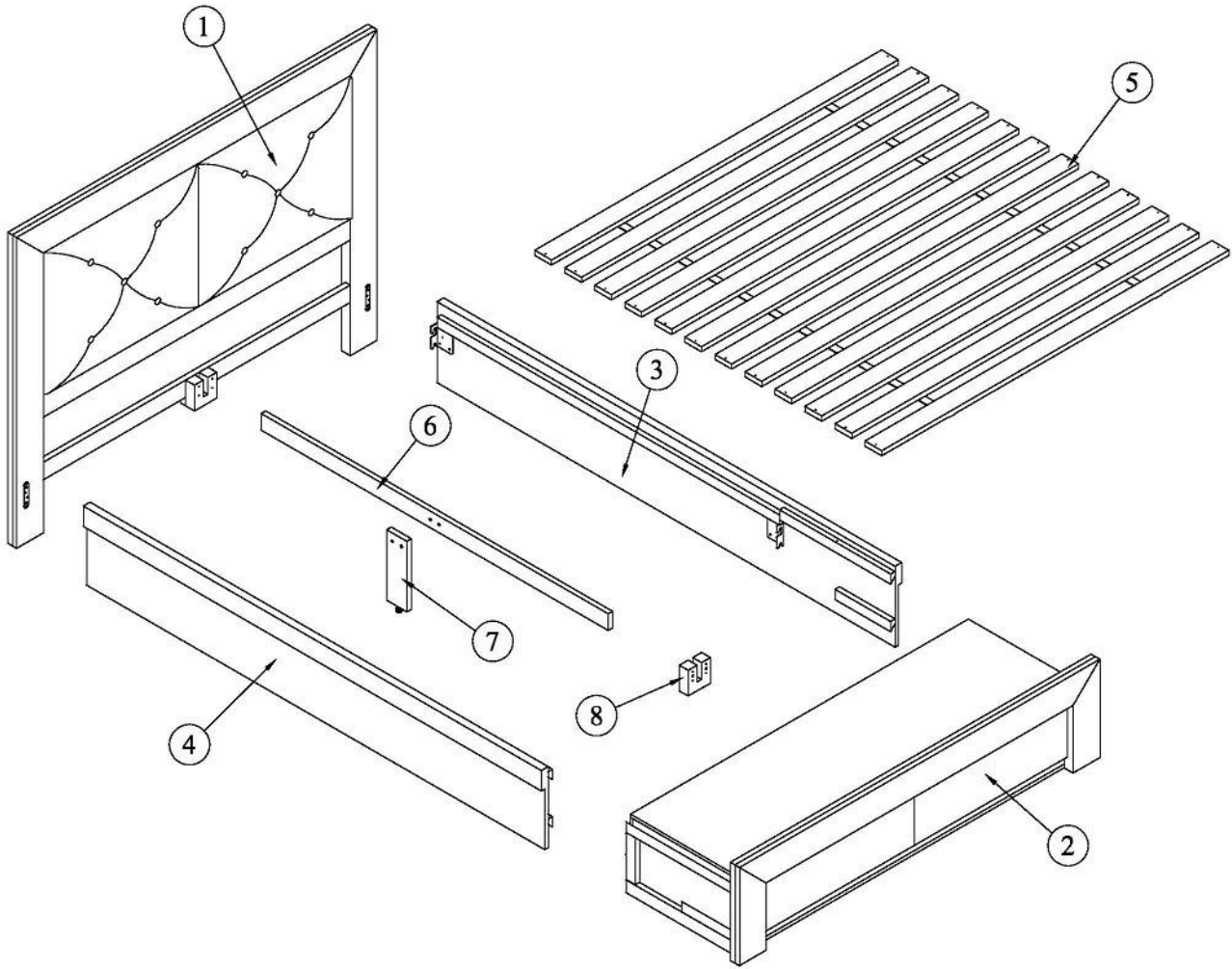
Before you start:

1. Choose a clean, level, spacious assembly area. Avoid hard surfaces that may damage the product
2. Take care when lifting. Product should be assembled as near as possible to the point of use
3. Ensure that you have all required contents for complete assembly
4. Always read the assembly instructions carefully before beginning assembly.
5. Keep all hardware parts and packaging out of reach of small children.
6. Do not over tighten the screws and bolts as this may damage the threads



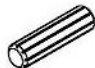






Power drill set on low speed setting before use

PARTS LIST



Note: Hardware are located inside siderail boxes.

NO.	DESCRIPTION	QTY.
1	HEADBOARD	1pc
2	FOOTBOARD WITH DRAWER	1pc
3	SIDERAIL (LEFT)	1pc
4	SIDERAIL (RIGHT)	1pc
5	BED SLAT (12pcs)	1pc
6	SLAT SUPPORT	1pc
7	SLAT SUPPORT STAND	1pc
8	U BLOCK	1pc

<p>A. Dowel</p>  <p>M8 x 40mm 2pcs</p>	<p>B. Screw</p>  <p>CSK M4 x 32mm 28pcs</p>
<p>C. Bolt</p>  <p>JCBC M8 x 16mm 8pcs</p>	<p>D. Bolt</p>  <p>JCBC M6 x 40mm 2pcs</p>
<p>E. Allen Key</p>  <p>M5 1pc</p>	<p>F. Allen Key</p>  <p>M4 1pc</p>
<p>G. Screw (Black Color)</p>  <p>CSK M4 x 50mm 2pcs</p>	

ITEMS REQUIRED

1

A. Dowel



M8 x 40mm 2pcs

B. Screw



CSK M4 x 32mm 28pcs

C. Bolt



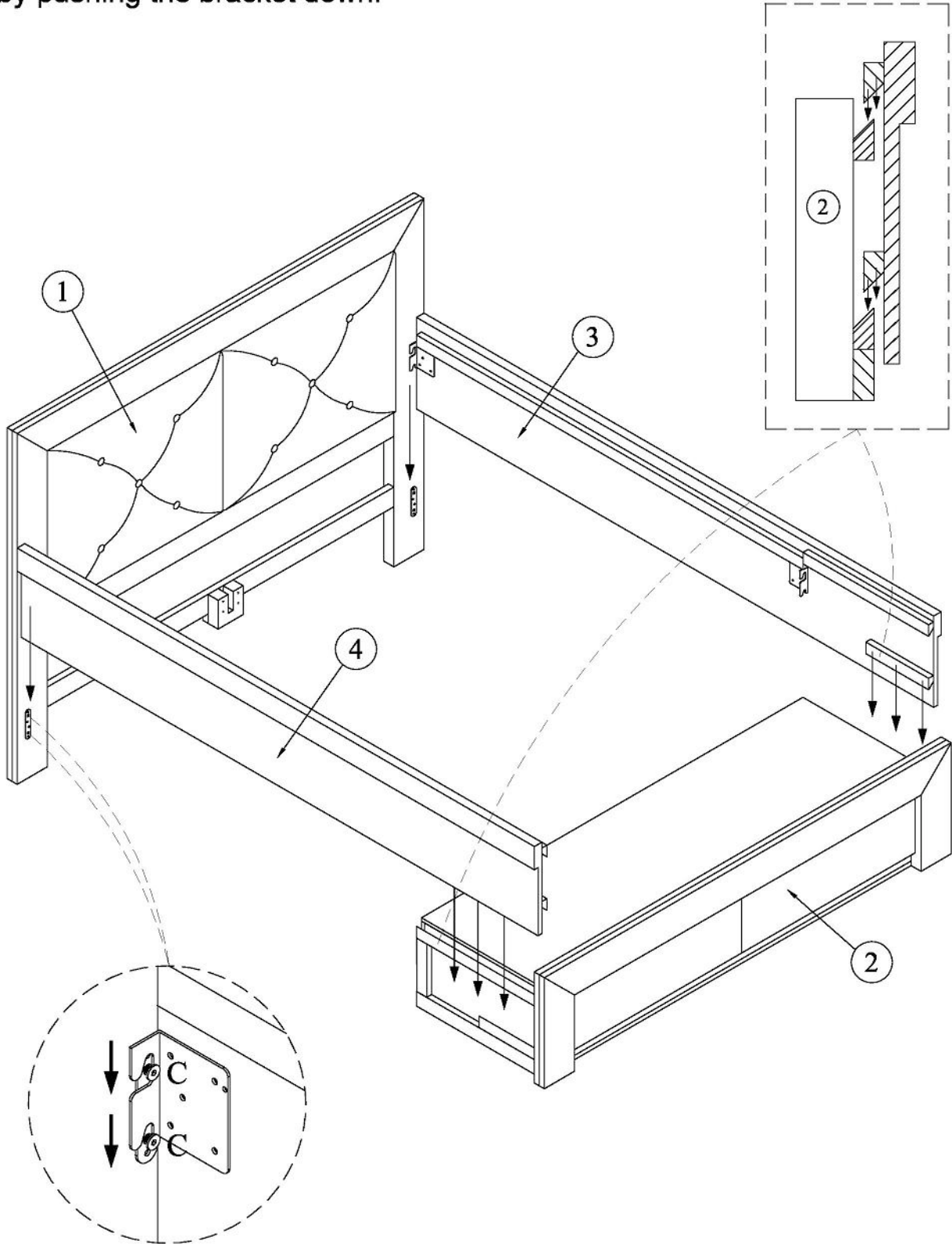
JCBC M8 x 16mm 8pcs

E. Allen Key



M5 1pc

- Attach *Siderail (3 & 4)* to *Headboard (1)* and *Footboard (2)* by pushing the bracket down.



ITEMS REQUIRED

2

A. Dowel



M8 x 40mm 2pcs

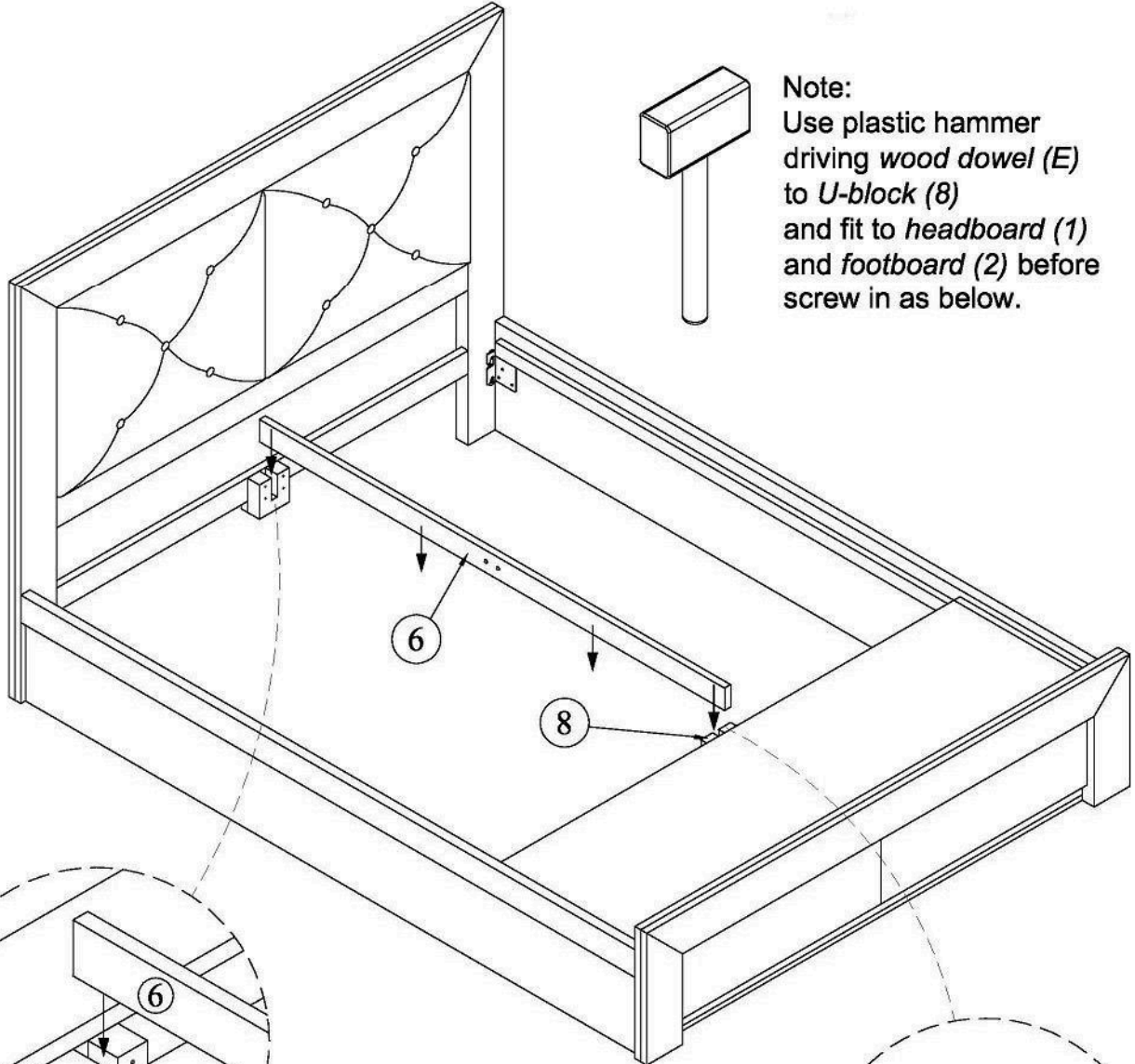
B. Screw



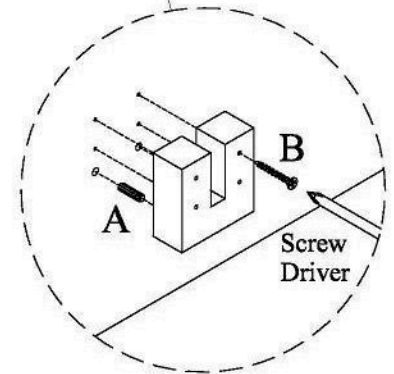
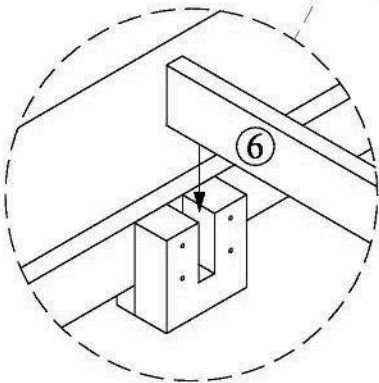
CSK M4 x 32mm 28pcs



- Attach *U BLOCK (8)* to *Footboard (2)* using *Dowel (A)* & *Screws (B)*. Tighten with screw driver or power drill on low setting.
- Slot in *Slat Support (6)* to *U Block (8)*.



Note:
Use plastic hammer driving wood dowel (E) to U-block (8) and fit to headboard (1) and footboard (2) before screw in as below.



ITEMS REQUIRED

3

C. Bolt



JCBC M8 x 16mm 8pcs

E. Allen Key



M5 1pc

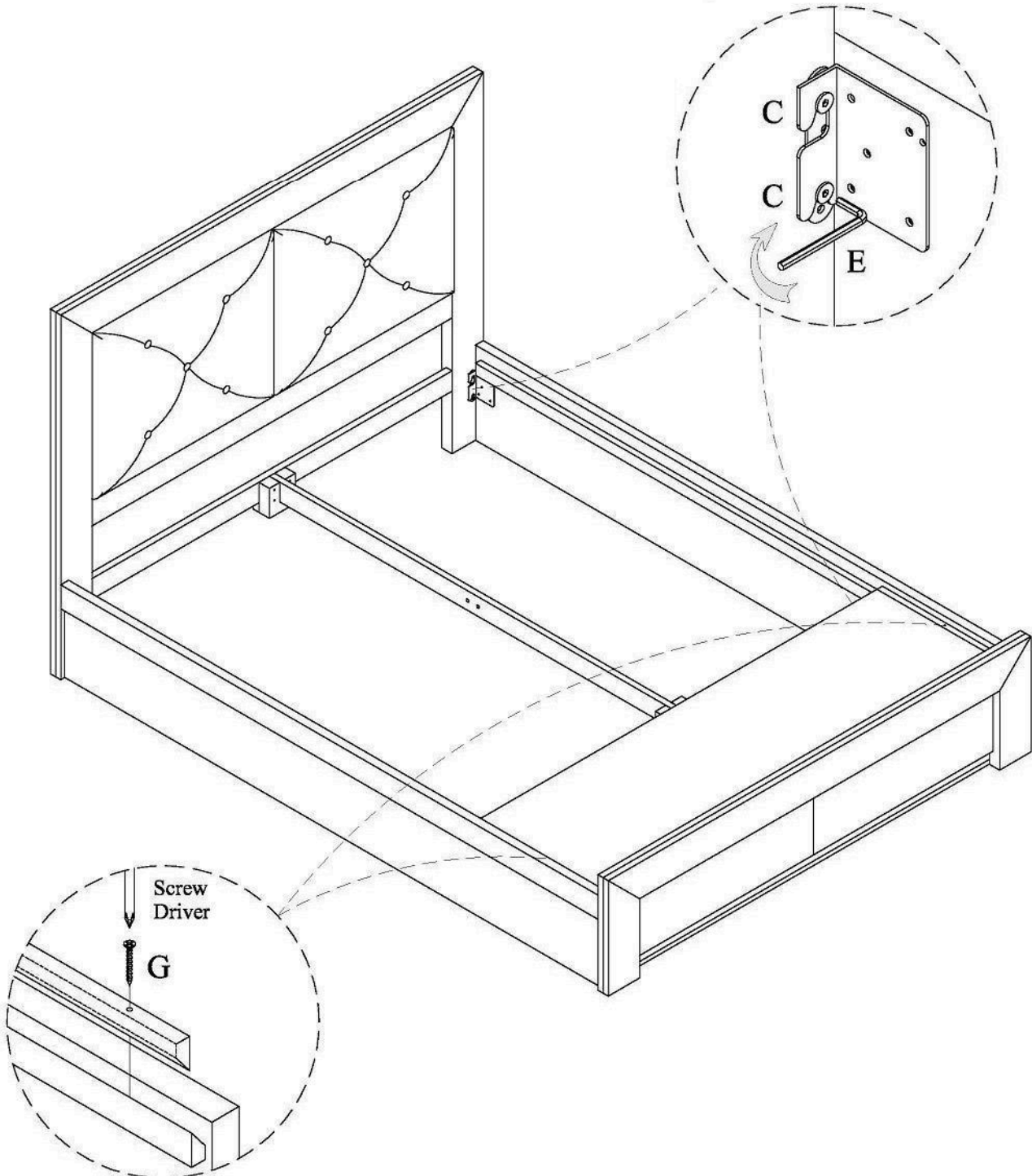
G. Screw (Black Color)



CSK M4 X 50mm 2pcs



- Tighten all 4 corners (C) of Headboard (1) & Footboard (2) using Allen Key (E).
- Once all the 4 corner 'L' metal bracket are secured and fully tighten, at the footboard, push the siderail in towards to side of the box to ensure that there is no gap by fitting in the Black M4 x 50mm screw using a screw driver or power drill on low speed setting.



ITEMS REQUIRED

4

D. Bolt



JCBC M6 x 40mm 2pcs

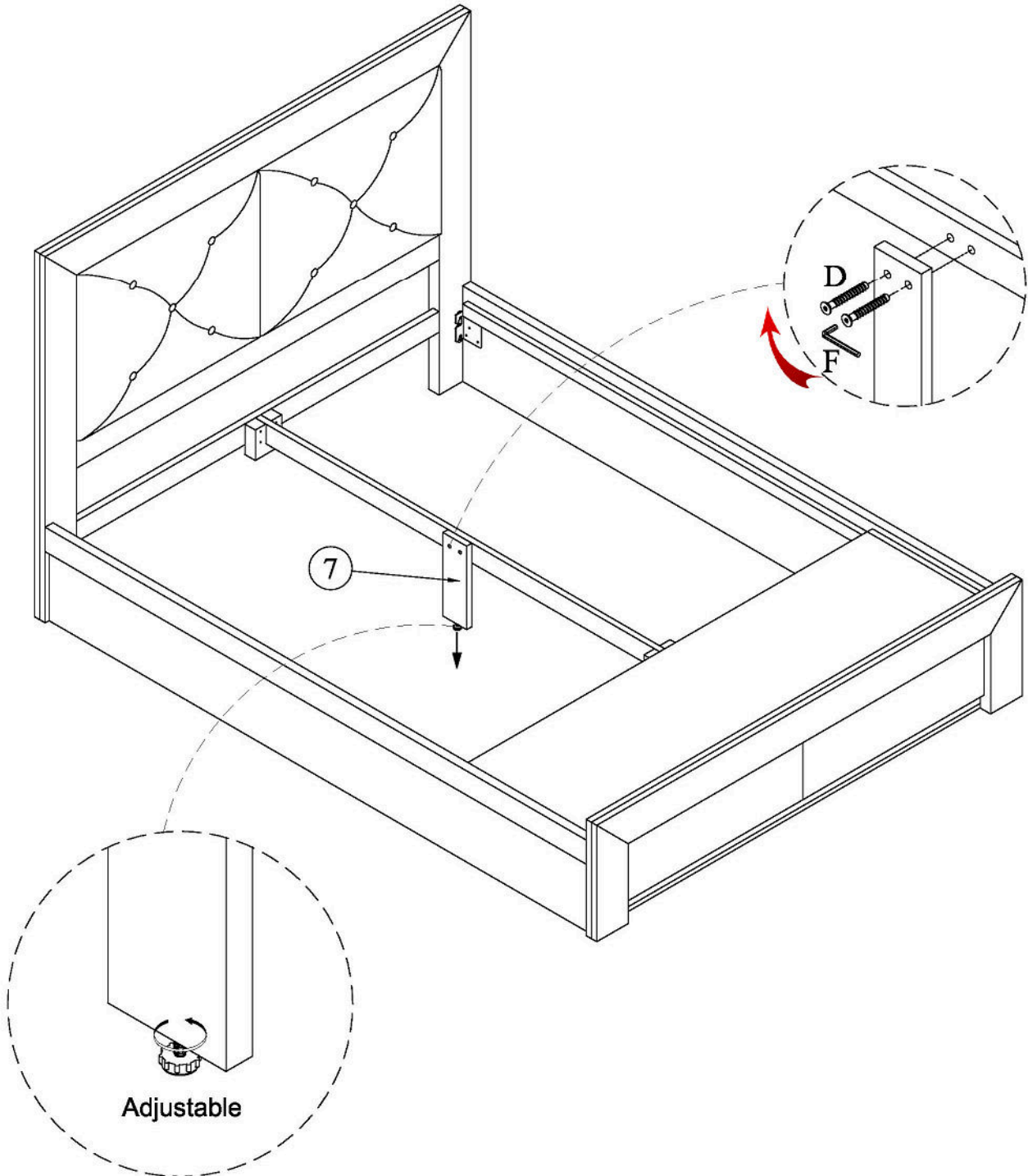
F. Allen Key



M4

1pc

- Attach *Slat Support Stand (7)* to *Slat Support (6)* using *Bolts (D)*.



Important Notes :

- Once the bed is positioned , the support leg adjustable is adjusted to touch the floor, the slat may then be laid down and secured before putting on the mattress.

ITEMS REQUIRED

5

B. Screw

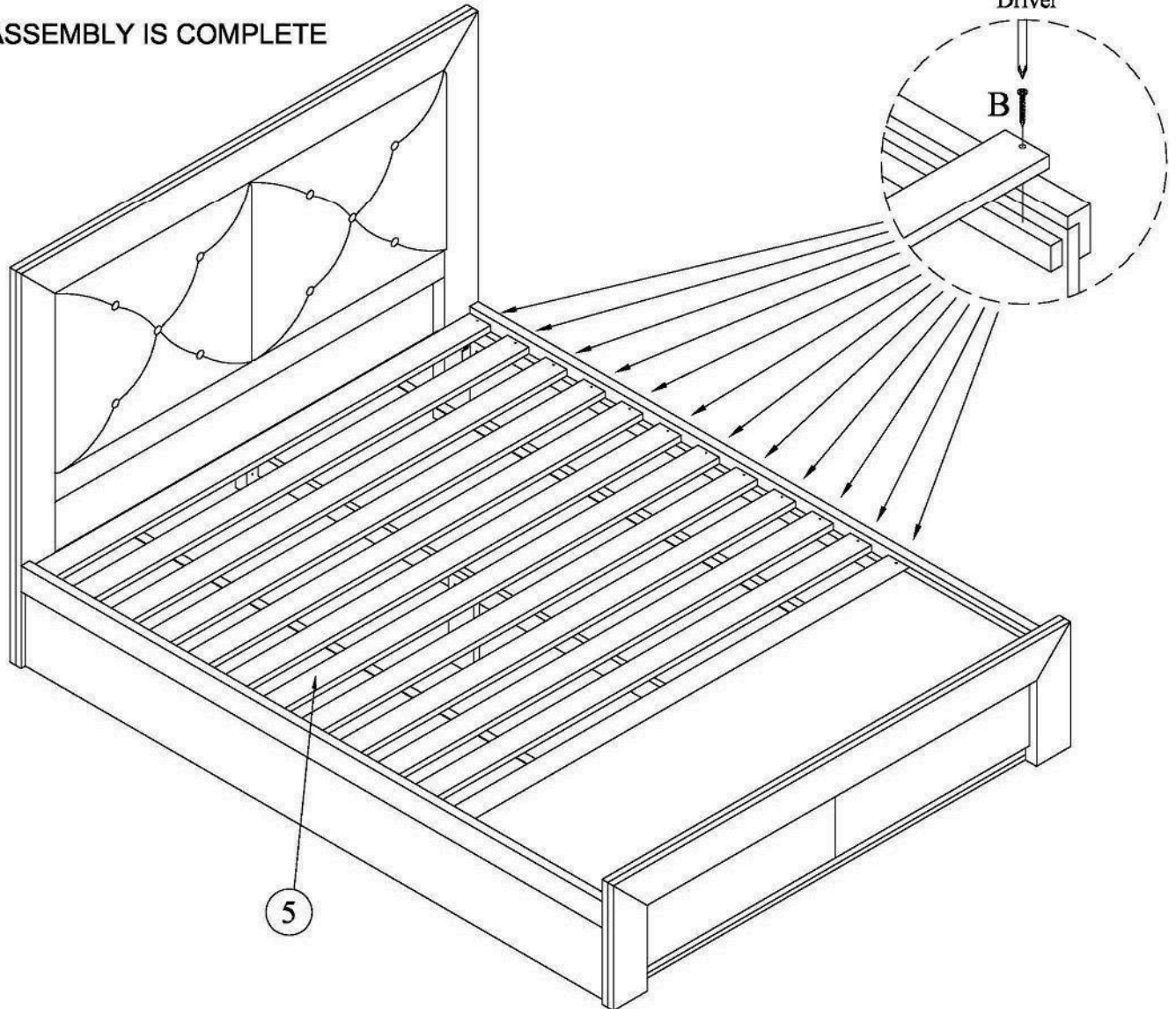


CSK M4 x 32mm 28pcs



- Place Slats (5) to ledge of Side Rails (3 & 4).
- Attach together using Screws (B).
- Tighten with screw driver or power drill on low speed setting.

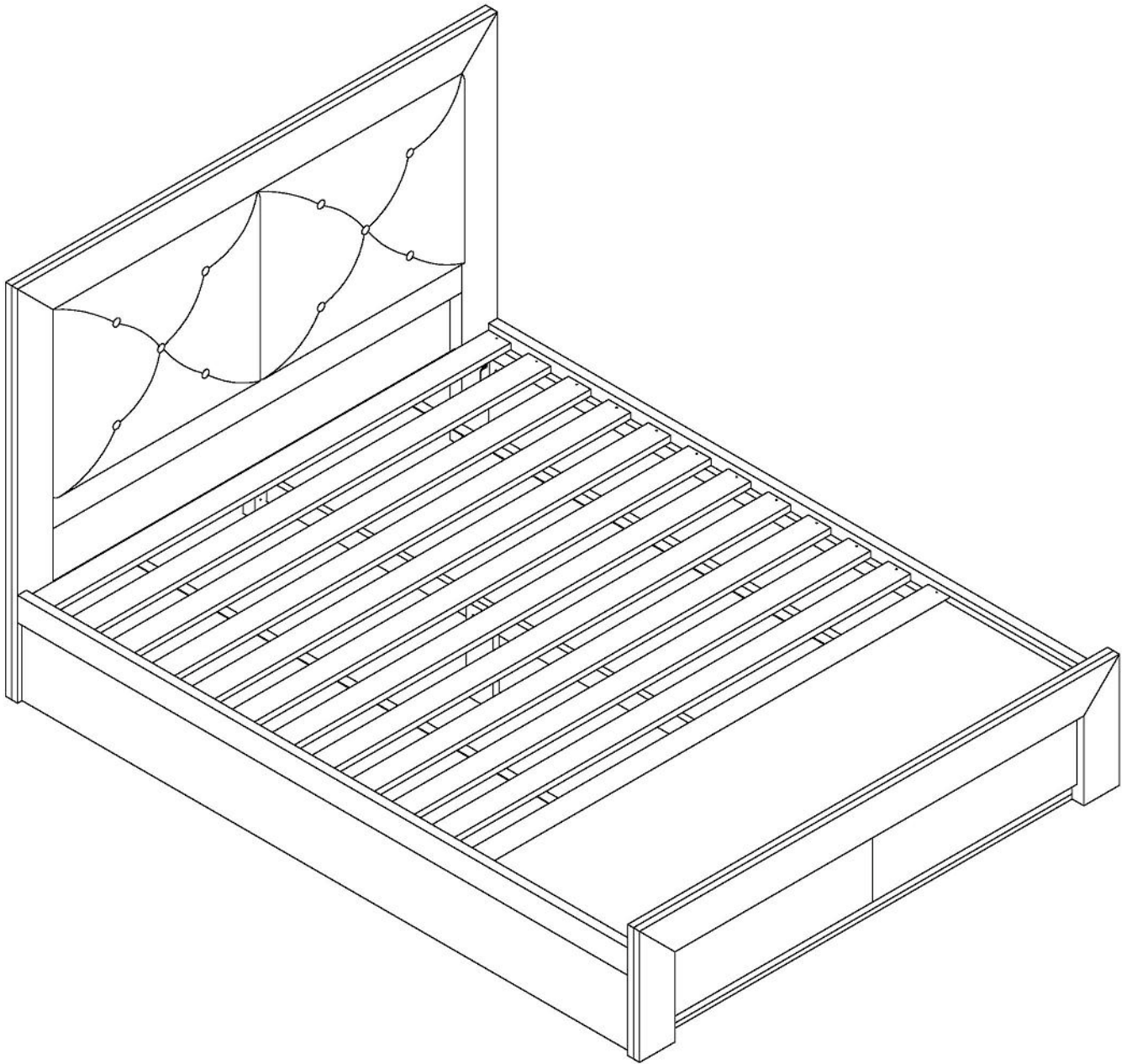
ASSEMBLY IS COMPLETE



Important Notes :

- DO NOT push or pull the bed for repositioning as this may result in broken Support leg for the Centre rail and pulled away Screw from part fittings.

ASSEMBLY IS COMPLETE



Care and maintenance



- A multi-step finish is applied to all our furniture, but all wood comes from nature. Because of this, there will be natural variations in surface texture and grain like knots, mineral streaks and sap runs that may affect the finish. These differences in character are not defects, but distinctions that make each piece of furniture unique.
- Our furniture is built to last. Following these steps for basic care should protect your investment for years to come.
- Dust frequently with a clean damp lint-free cloth. This will help remove abrasive build up which can damage a finish over time.
- Do not place hot objects on any furniture surface. Always use a hot plate or placemat. Laminate and lacquer finishes on table tops provide added scratch and heat resistance to our furniture, but they can still be damaged without proper care.
- Avoid exposing your furniture to strong sunlight, heat outlet, open windows and dampness. Prolonged exposure to direct sunlight can fade the finish of your furniture, while extreme temperature and humidity changes can cause cracking or splitting.
- Do not expose your furniture to any liquids. Never allow water to sit on your furniture. Alcohol, nail polish and perfume are also dangerous as they will dissolve the lacquer finish in contact and may require professional repairs.
- Do not allow plastic to come in direct contact with your furniture. Chemicals in the plastic of placemats etc may soften and mark the finish if left in contact with the furniture for a period of time.